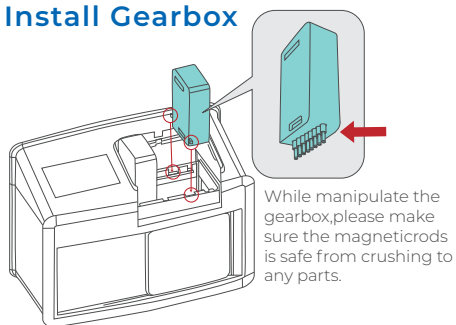


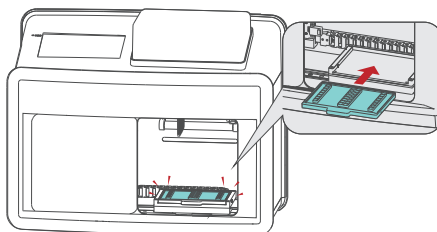
※ Here is the illustration for CH 8 Gearbox with Auto Plate.

STEP 1 Install Gearbox



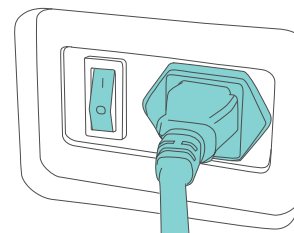
Power off. Open the top lid
Install one gearbox according
to the sample type. Close the top lid.

STEP 2 Install Heating Block



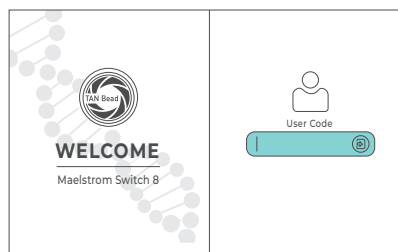
Open the door. Install the corresponding
heating block.

STEP 3 Power On



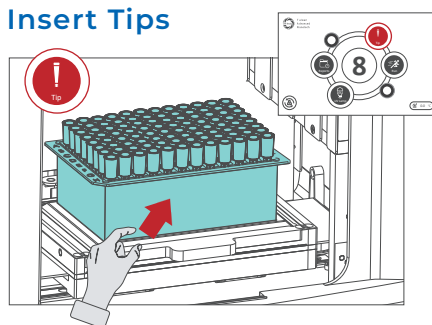
Power On the instrument.

STEP 4 Login System



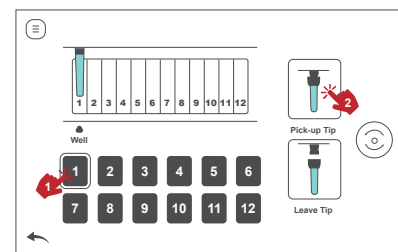
Login by default User Code: 333

STEP 5 Insert Tips



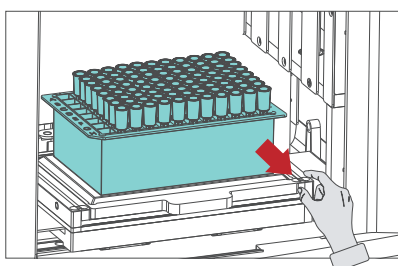
Tap **Tip** icon and place a tip box on the
heating block.

STEP 6 Mount Tips



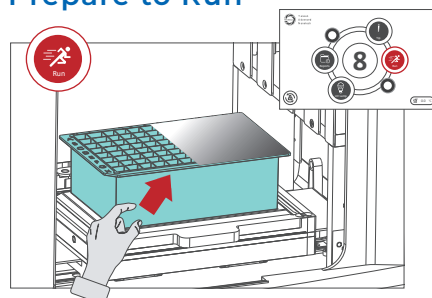
Select a column with spin tip and tap
Pick-up Tip icon.

STEP 7 Tip Box Removal



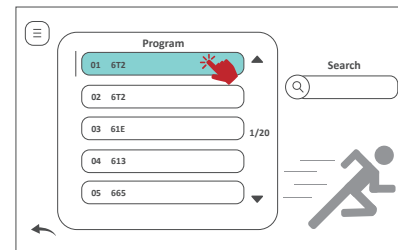
Remove the tip box after pick-up tips.

STEP 8 Prepare to Run



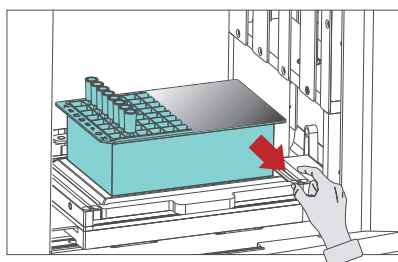
Remove the aluminum foil carefully.
Place the extraction kit with cropped
corner facing outwards. Tap **Run** icon.
Note: Aluminum foil should be fully remove while
operate with CH16 Gearbox.

STEP 9 Program Selection



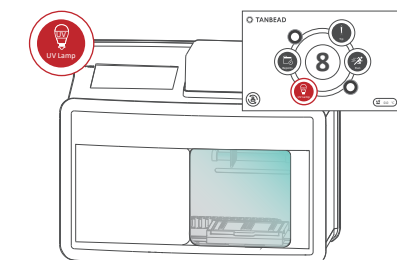
Select a program according to extraction kit.
Follow the instruction and double tap the
program to proceed.

STEP 10 Extraction Complete



Remove extraction kit

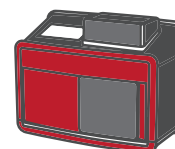
STEP 11 Decontamination



Close the door and turn on UV
for 30 minutes.

Maelstrom Switch 8

For more detailed information, please refer to the User Manual within the following link.



Reference video



User Manual

Taiwan Advanced Nanotech Inc. www.tanbead.com